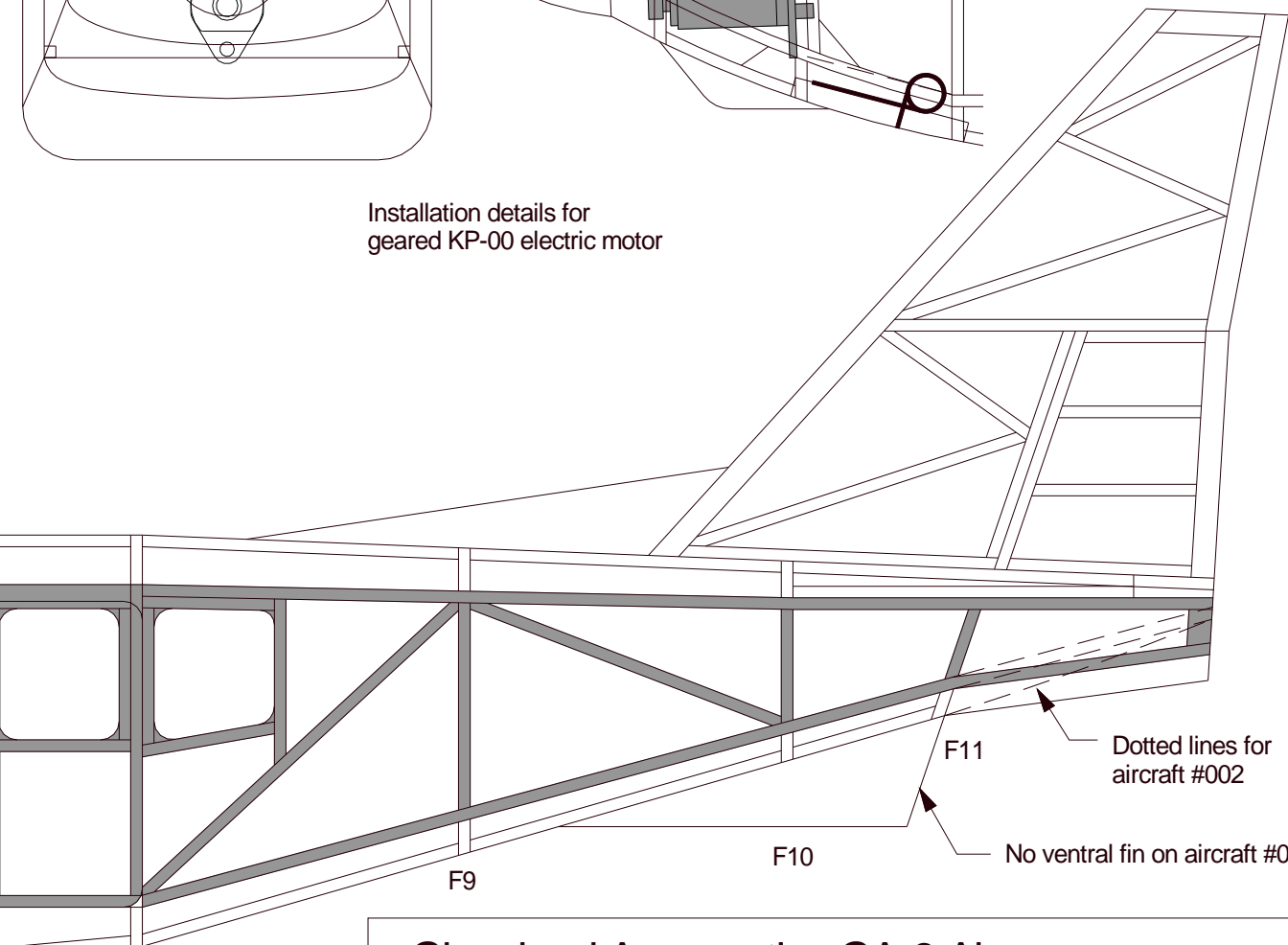


Installation details for geared KP-00 electric motor



F11
Dotted lines for aircraft #002
F10
No ventral fin on aircraft #002

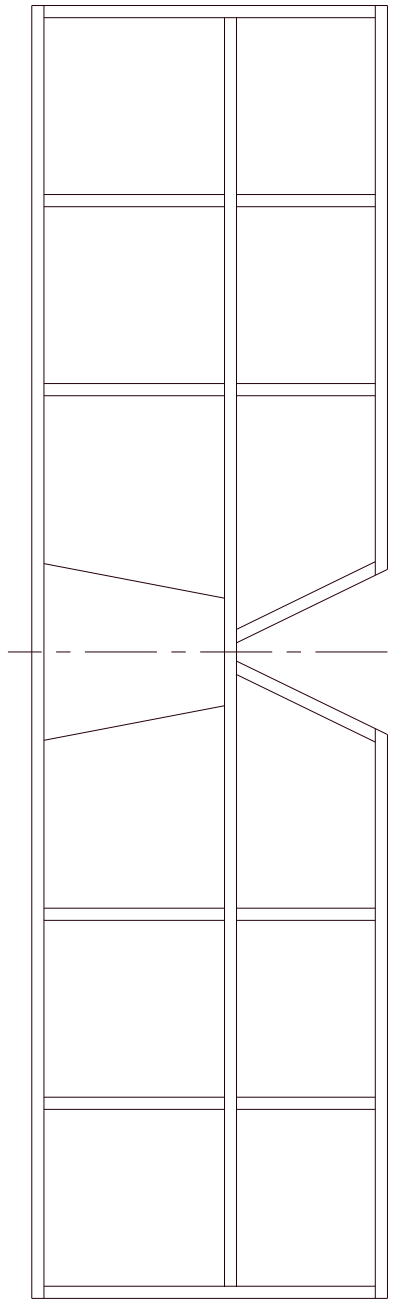
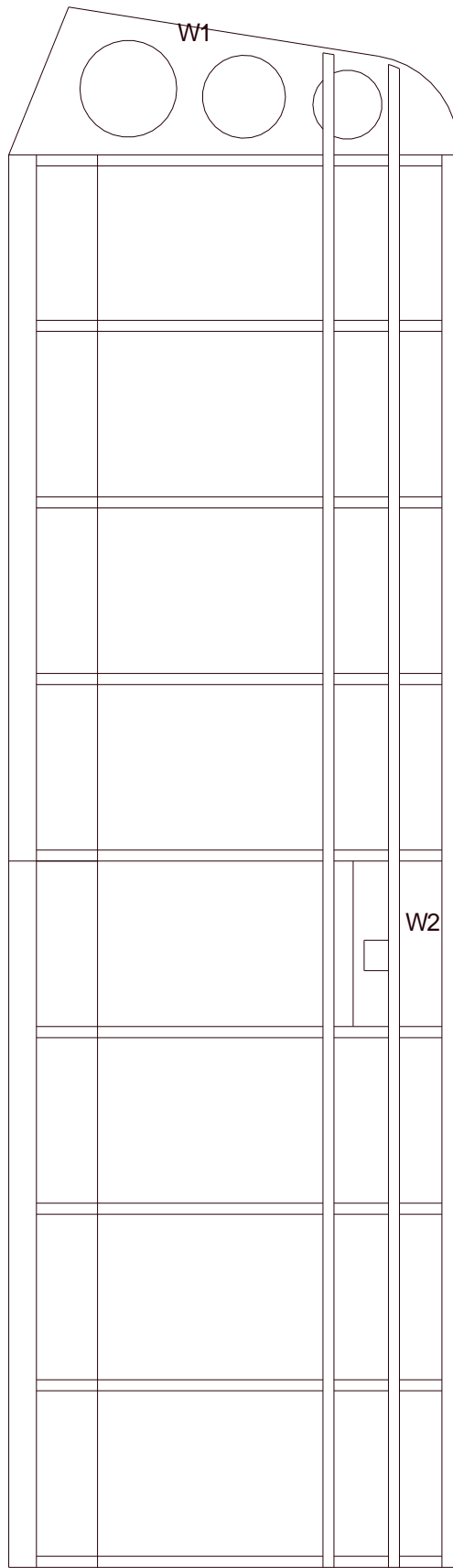
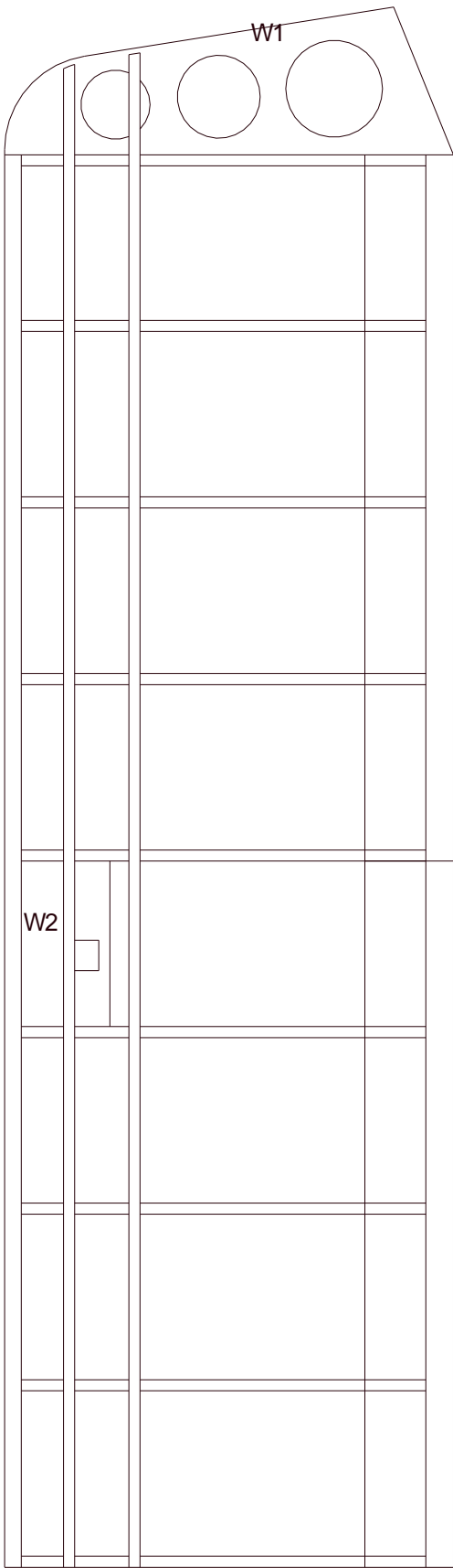
Gippsland Aeronautics GA-8 Airvan

Dimensions:	Prototype:	Model:
Span:	12.29 m	560mm (22.0 in)
Length:	6.70 m	369mm (14.5 in)
Wing area:	19.3 m ²	2.80 dm ² (43.4 in ²)
Scale:		1:22
Model designed by Derek Buckmaster June 1999		

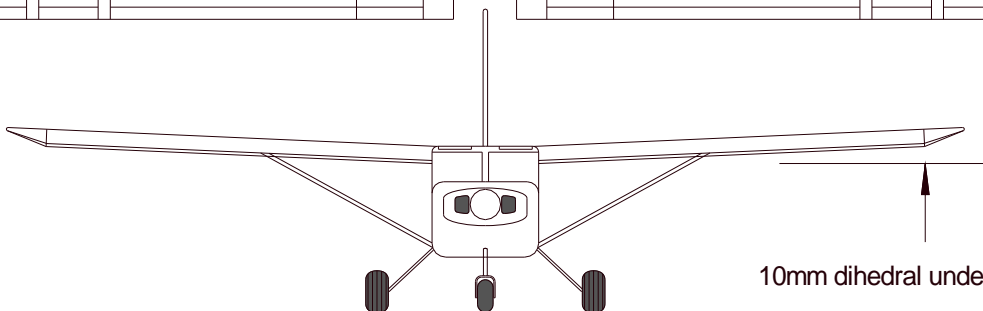


© D Buckmaster 1999



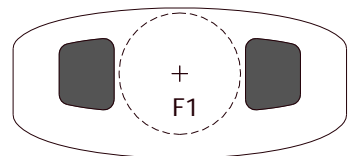
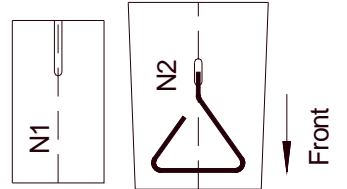


Sheet 3 of 4



10mm dihedral under tip rib

3.2mm Sheet

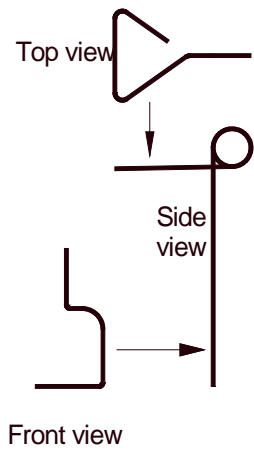


6.4mm Sheet

Wing tip angle template



Nose landing gear wire pattern



Main landing gear wire pattern

