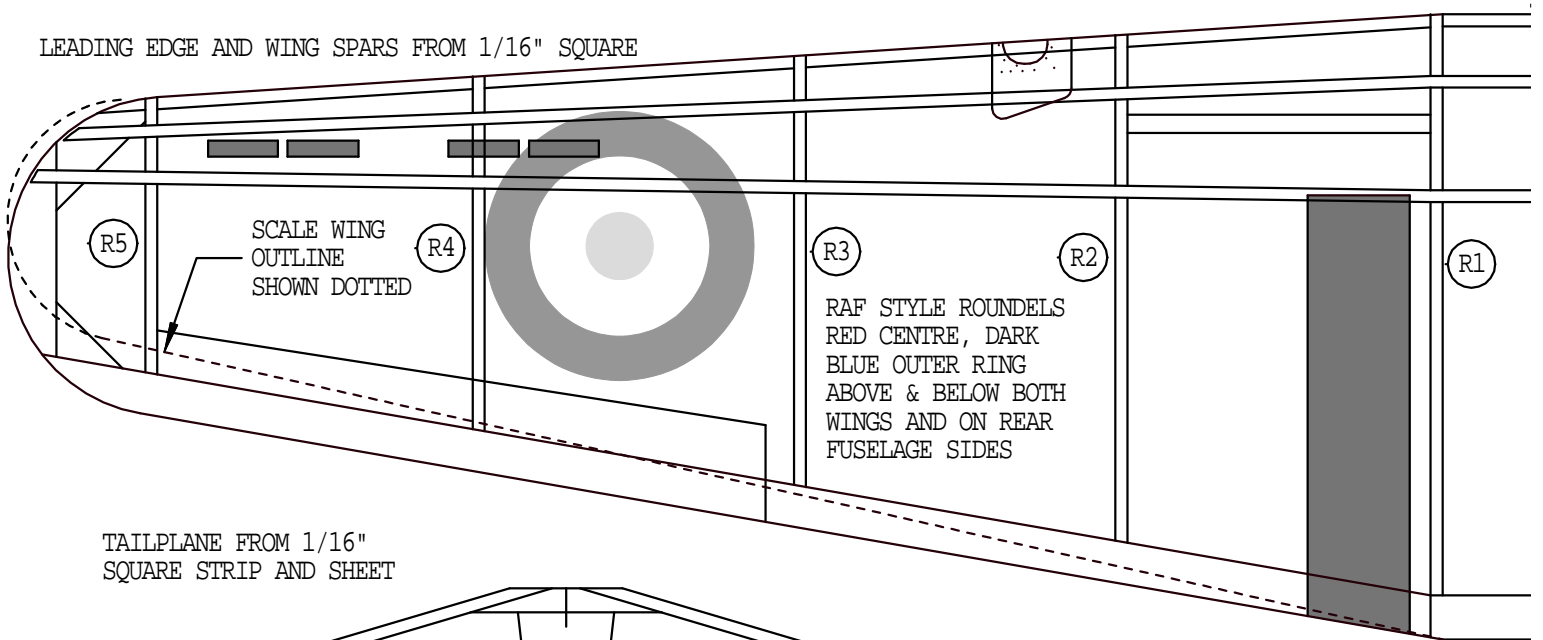
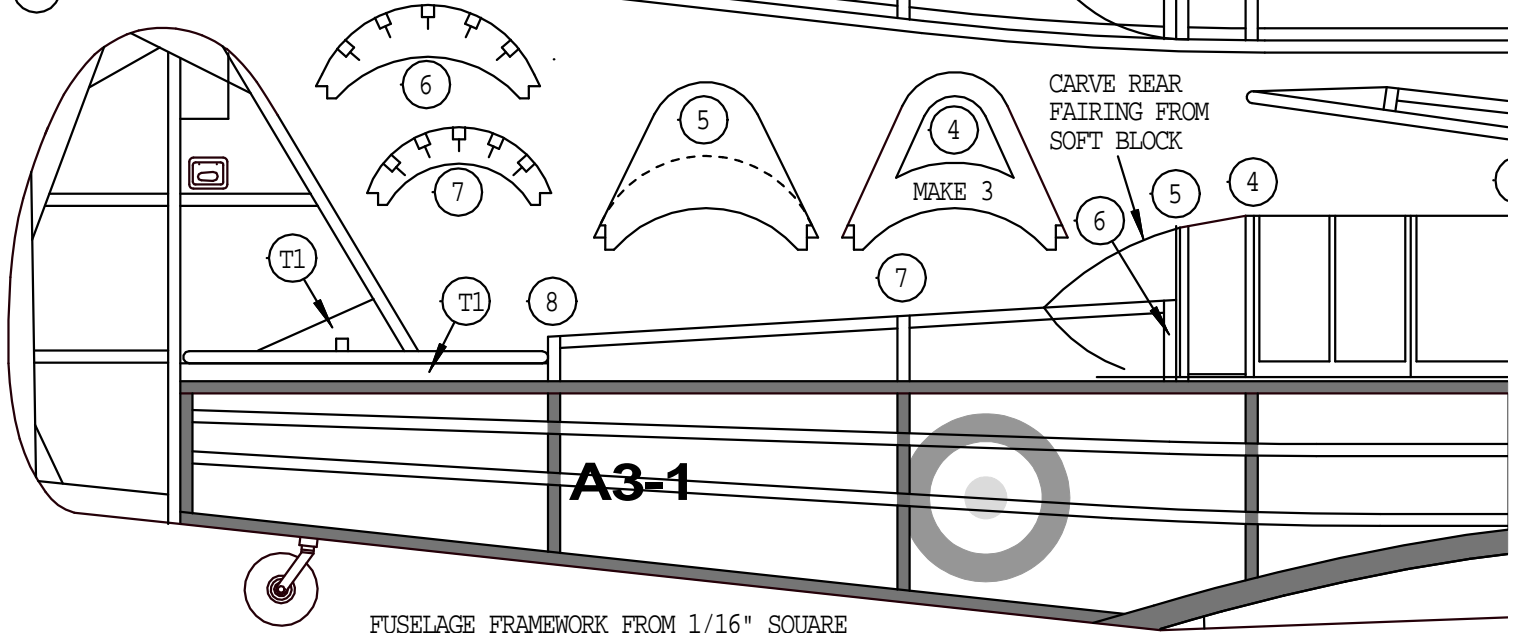
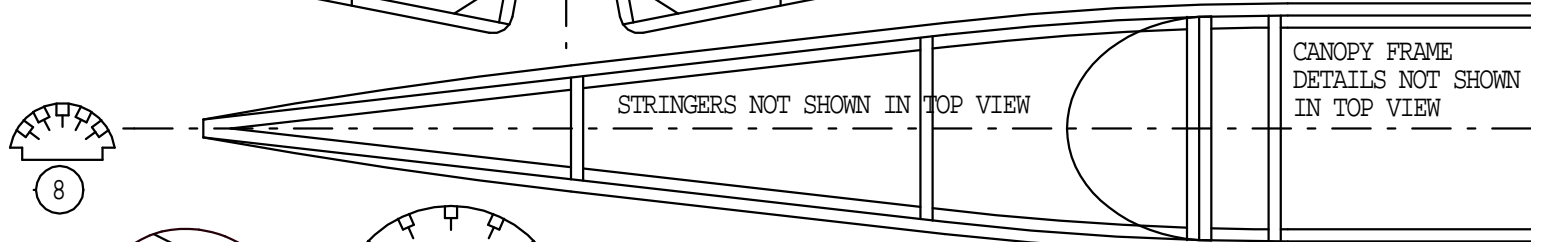
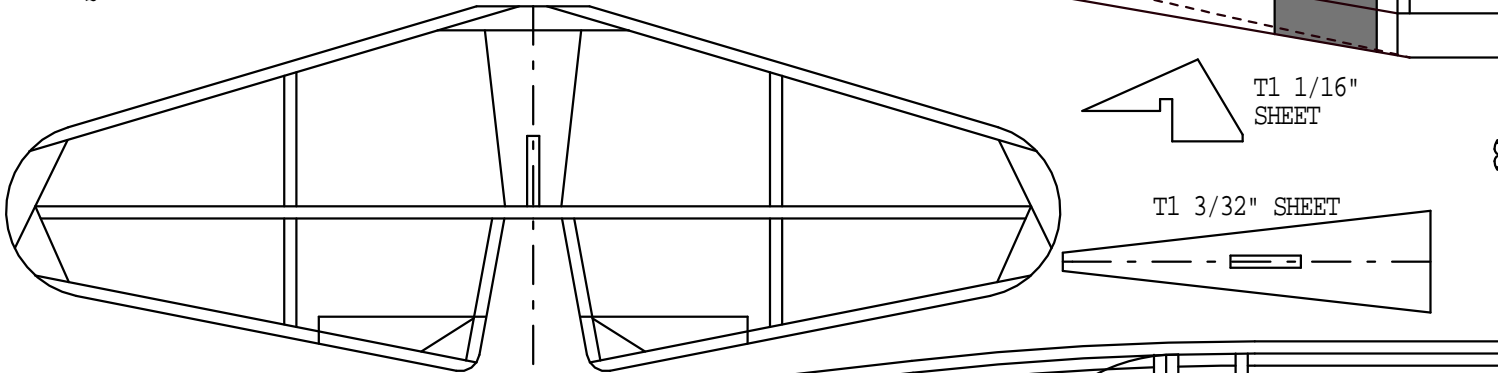


LEADING EDGE AND WING SPARS FROM 1/16" SQUARE

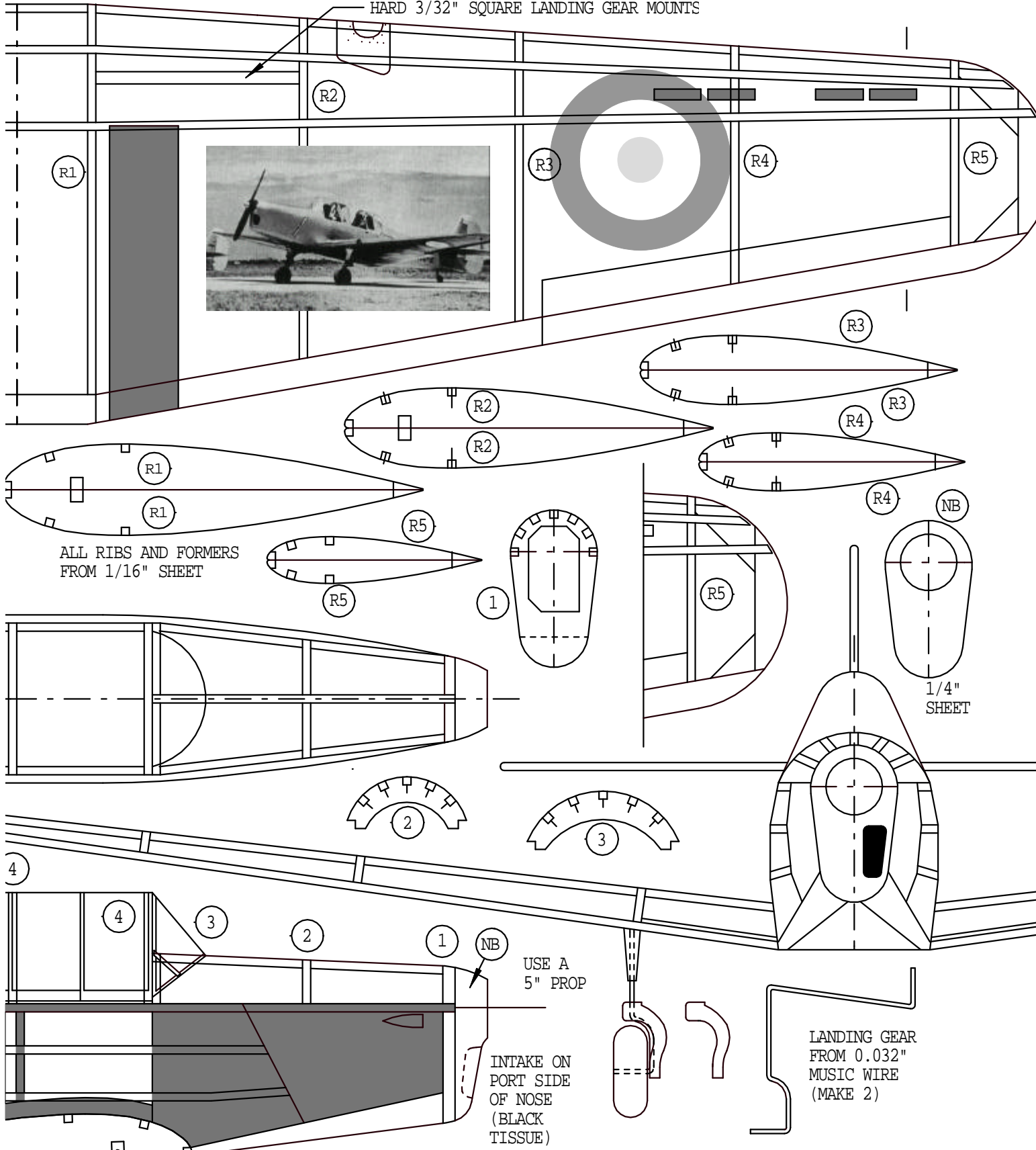


TAILPLANE FROM 1/16" SQUARE STRIP AND SHEET



THE CA-2 WAS THE PROTOTYPE OF THE CA-6 WACKETT TRAINER, DEVELOPED BY COMMONWEALTH AIRCRAFT CORPORATION JUST PRIOR TO WWII. THE WACKETT WAS ORIGINALLY INTENDED TO BE POWERED BY THE DE HAVILLAND GYPSY ENGINE AS IN THE CA-2 PROTOTYPE SHOWN ON THIS PLAN. INITIAL FLIGHT TESTS PROVED THE CA-2 WAS UNDERPOWERED, SO THE ENGINE WAS CHANGED TO A GYPSY MAJOR. THE GYPSY MAJOR WAS TOO HEAVY AND THE PRODUCTION MODEL WACKETTS DESIGNATED CA-6) WERE EVENTUALLY POWERED BY A WARNER SCARAB RADIAL ENGINE. TWO CA-2 PROTOTYPES WERE FLOWN, A3-01 AND A3-02 (THESE CODES WERE LATER CHANGED TO A3-1001 AND A3-1002).

HARD 3/32" SQUARE LANDING GEAR MOUNTS



ALL RIBS AND FORMERS FROM 1/16" SHEET

1/4" SHEET

USE A 5" PROP

INTAKE ON PORT SIDE OF NOSE (BLACK TISSUE)

LANDING GEAR FROM 0.032" MUSIC WIRE (MAKE 2)

BALANCE AT REAR TOP SPAR

CAC CA-2 WACKETT TRAINER PROTOTYPE

SPAN - 16" AREA - 36.7sq"	LENGTH - 11½"
DRAWING NO. NDS02	SERIES - NEO DIME SCALE
DRAWN & LETTERED BY - DJB	SCALE - 1:27.75