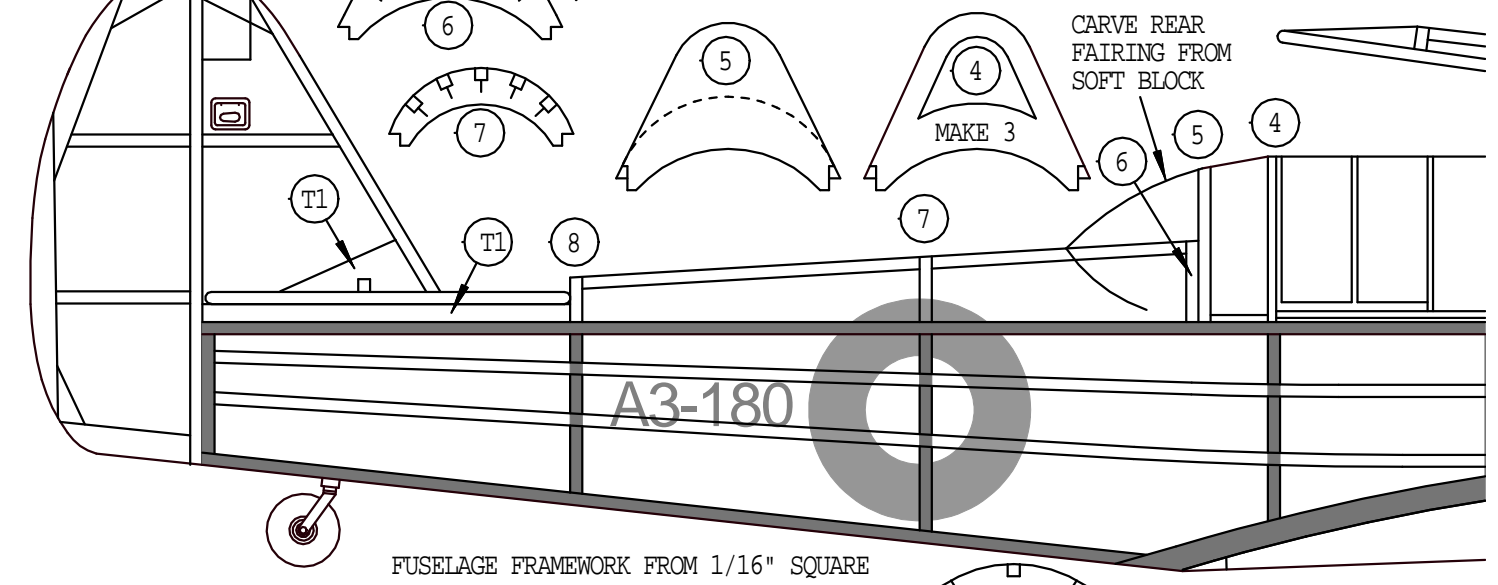
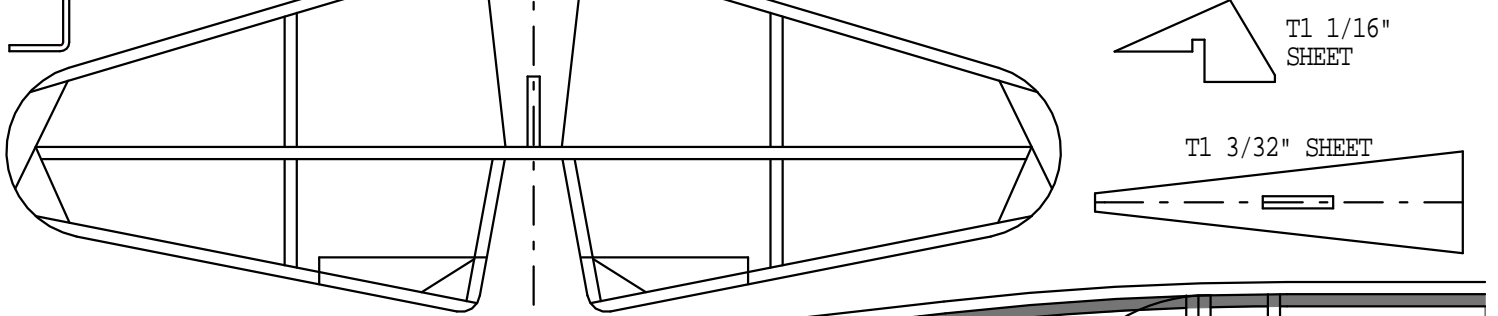
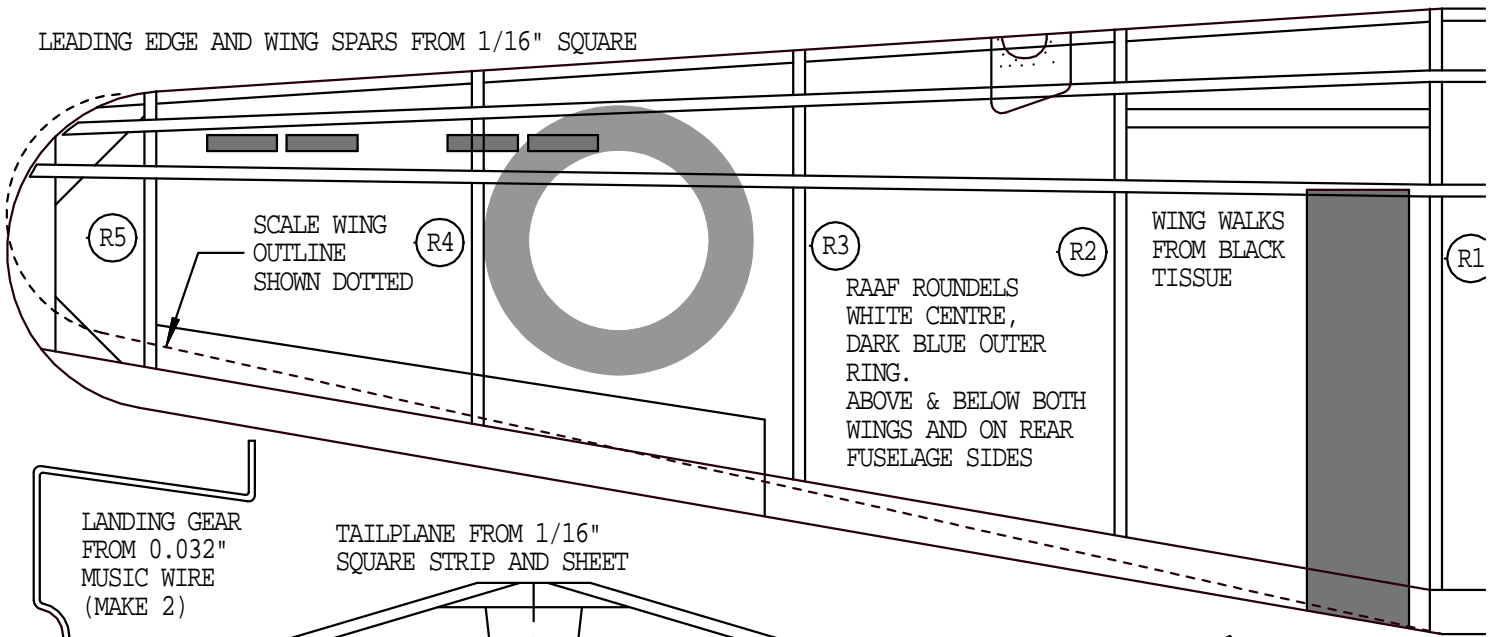
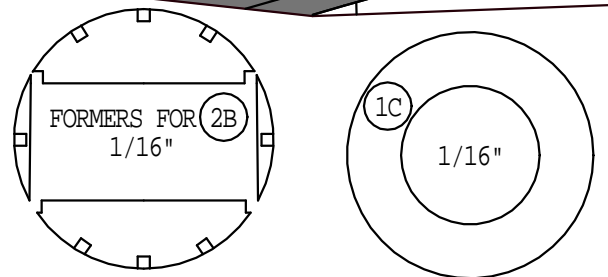


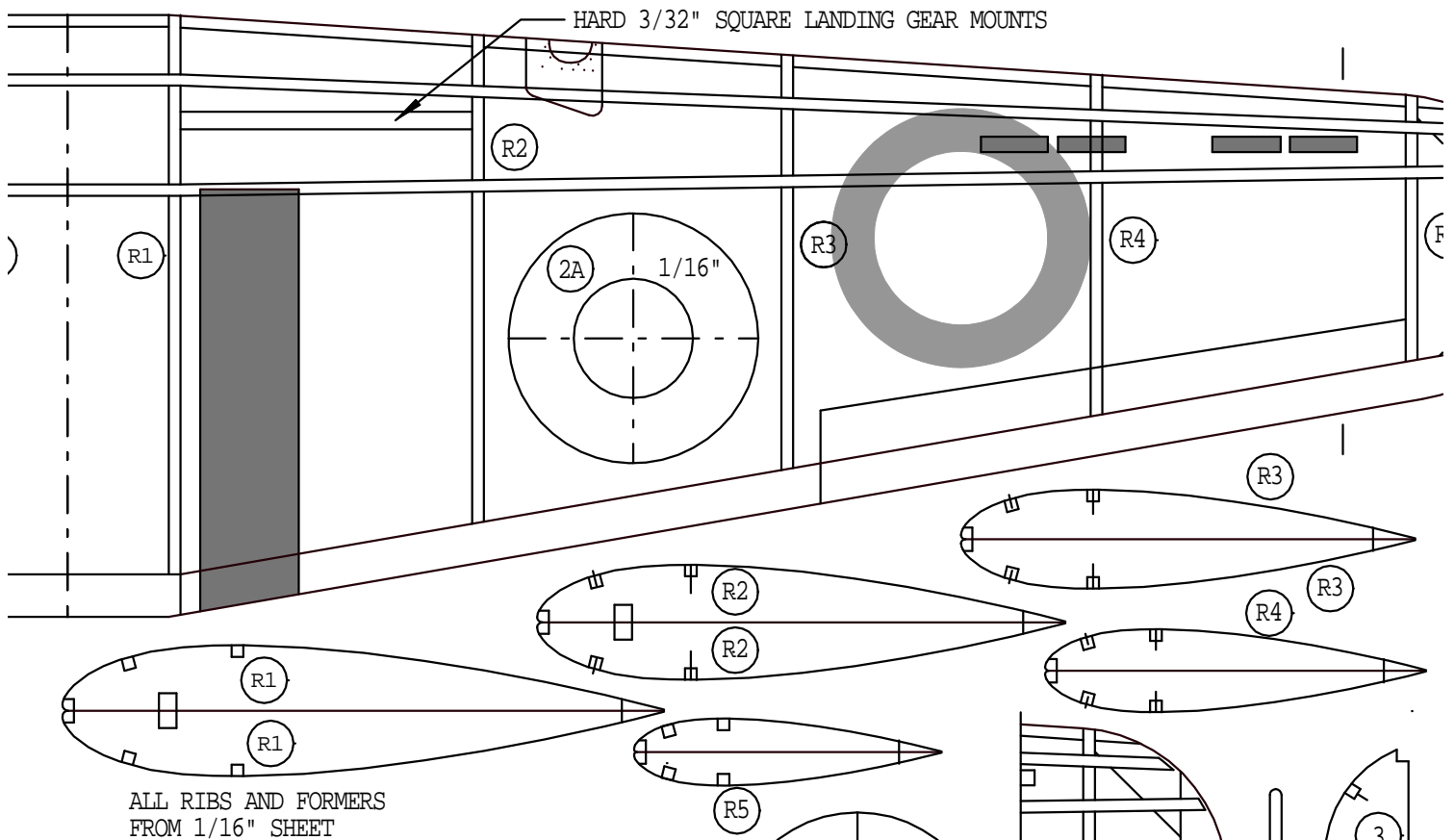
LEADING EDGE AND WING SPARS FROM 1/16" SQUARE



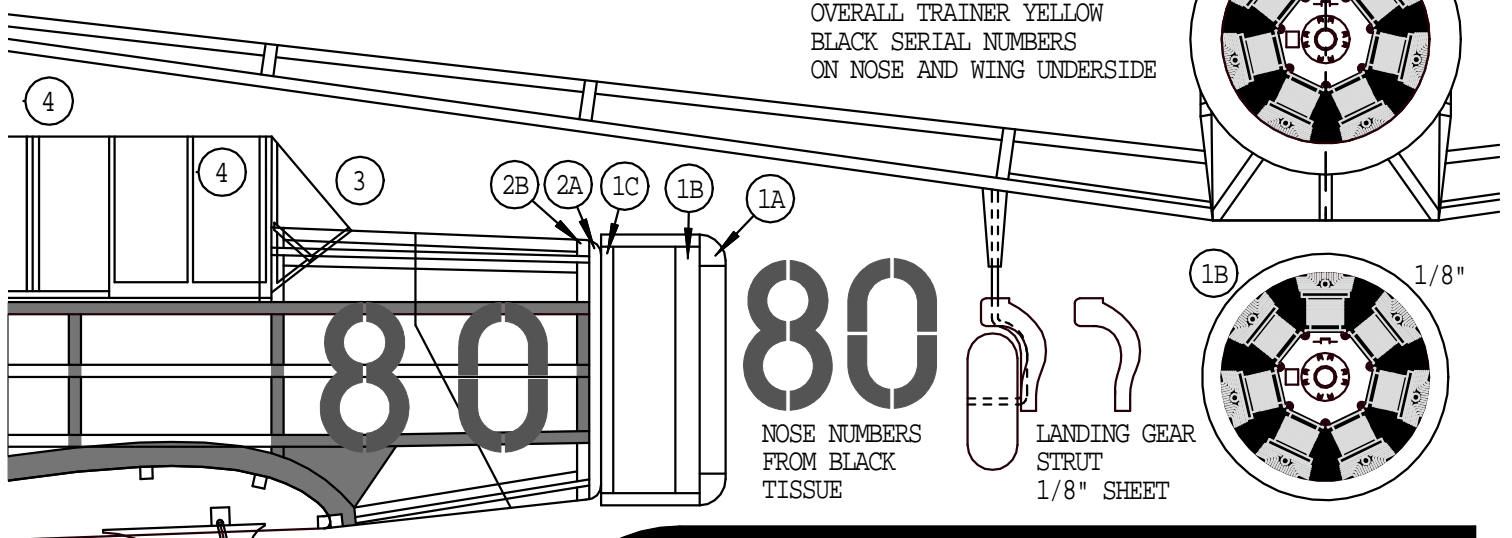
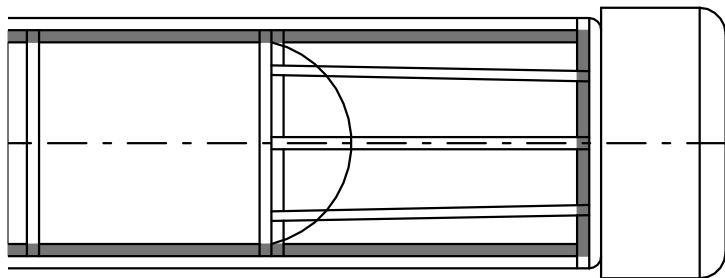
FUSELAGE FRAMEWORK FROM 1/16" SQUARE

THE CA-6 WAS THE PRODUCTION VERSION OF THE WACKETT TRAINER, DEVELOPED BY COMMONWEALTH AIRCRAFT CORPORATION IN MELBOURNE, AUSTRALIA JUST PRIOR TO WWII. THE WACKETT PROTOTYPES ORIGINALLY FLEW WITH DE HAVILLAND GYPSY ENGINES, BUT THEY WERE LACKING IN POWER, HENCE THE CHANGE TO THE WARNER SCARAB RADIAL ENGINE. THE RAAF ORDERED 200 CA-6 WACKETTS, GIVING THE WACKETT THE DISTINCTION OF THE LARGEST PRODUCTION RUN OF ANY AUSTRALIAN DESIGNED AIRCRAFT.





COLOUR NOTES:  
 OVERALL TRAINER YELLOW  
 BLACK SERIAL NUMBERS  
 ON NOSE AND WING UNDERSIDE



BALANCE AT REAR TOP SPAR

WHEELS FROM 1/4" SHEET

### CAC CA-6 WACKETT TRAINER

SPAN - 16" AREA - 36.7sq"	LENGTH - 11½"
DRAWING NO. <i>NDS03</i>	SERIES - <i>NEO DIME SCALE</i>
DRAWN & LETTERED BY - <i>DJB</i>	SCALE - 1:27.75