  
 Aerofoil section:  
 RAF-34 modified

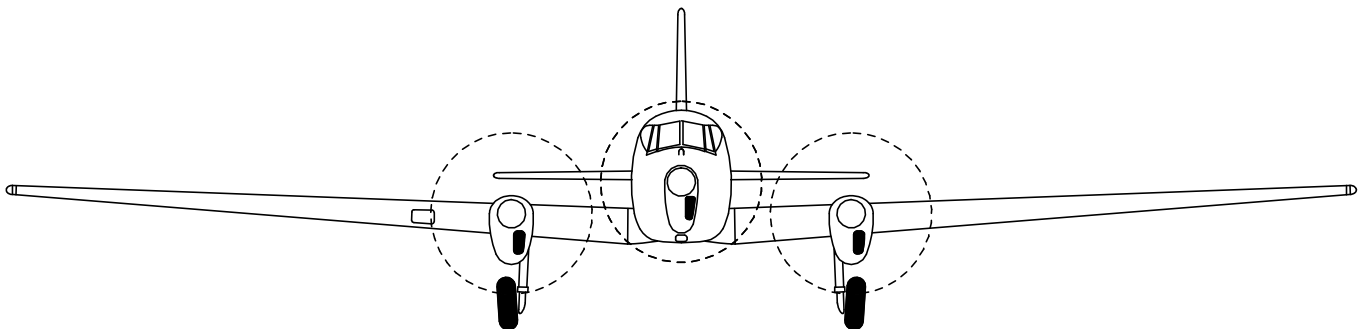
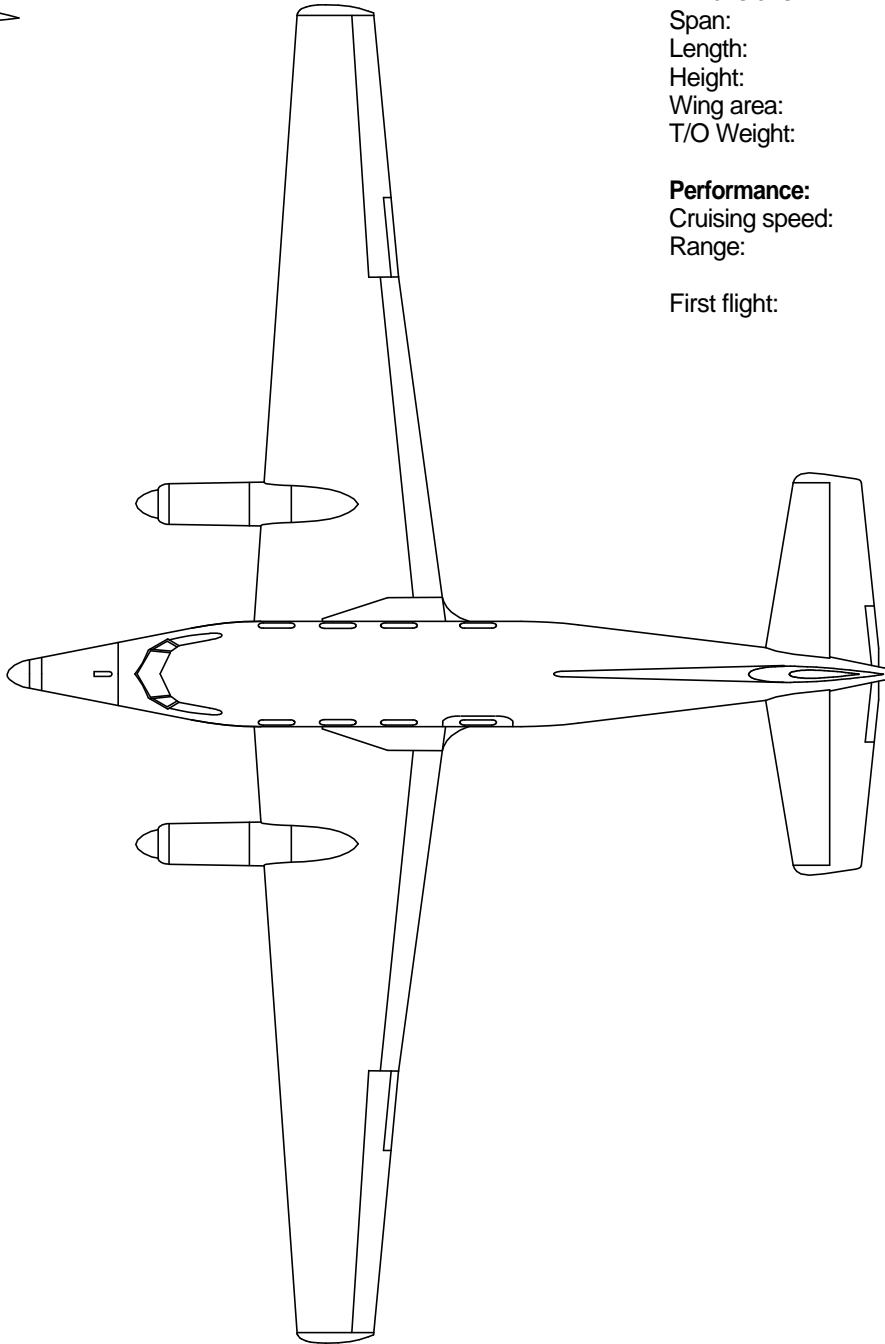
**Dimensions:**

Span:	ft	m
Length:	ft	m
Height:	ft	m
Wing area:	sq. ft	sq. m
T/O Weight:	lbs	kg

**Performance:**

Cruising speed:	mph	km/h
Range:	miles	km

First flight: January 1948



De Havilland Australia DHA-3 Drover

© D Buckmaster 2001