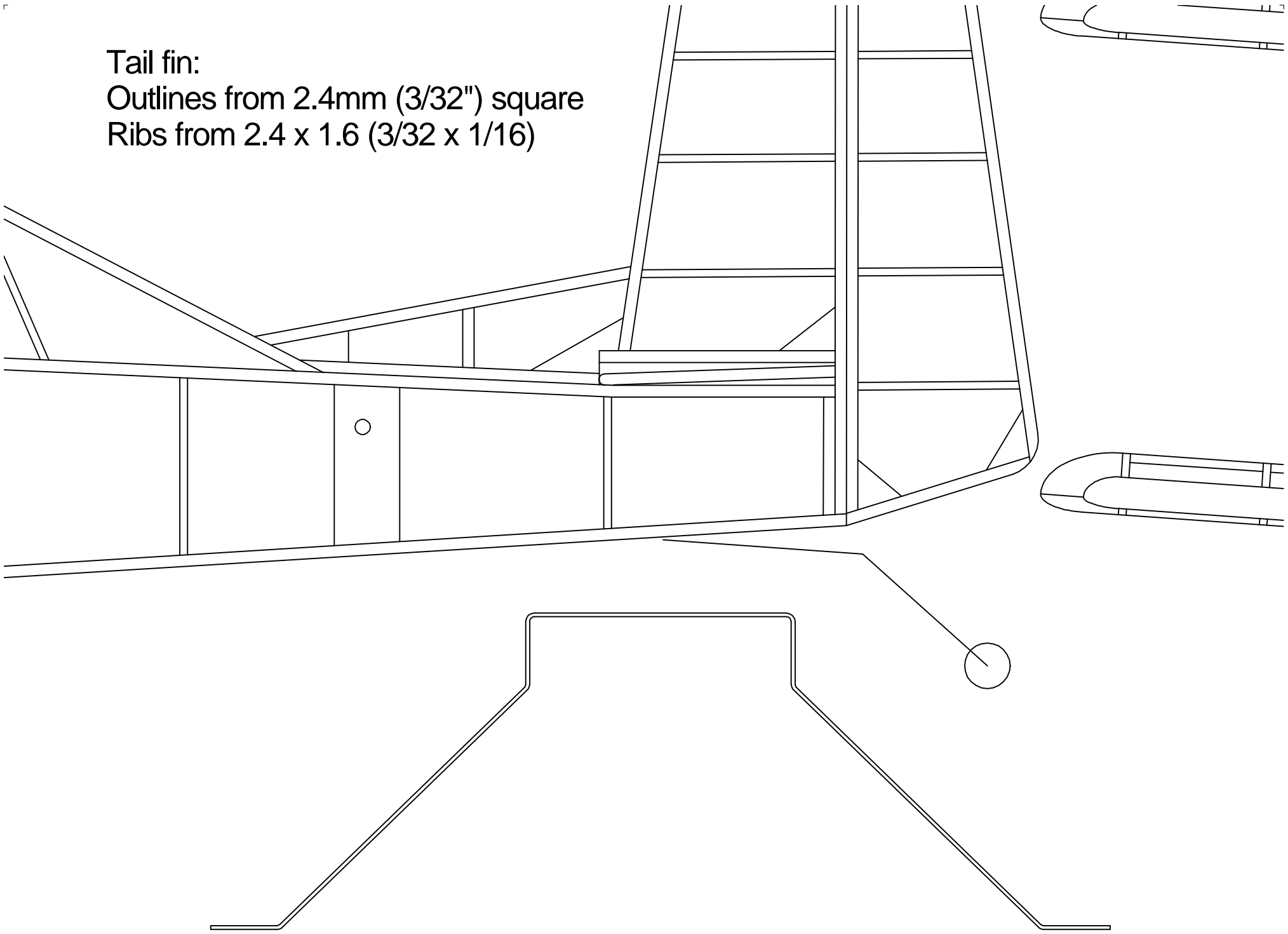
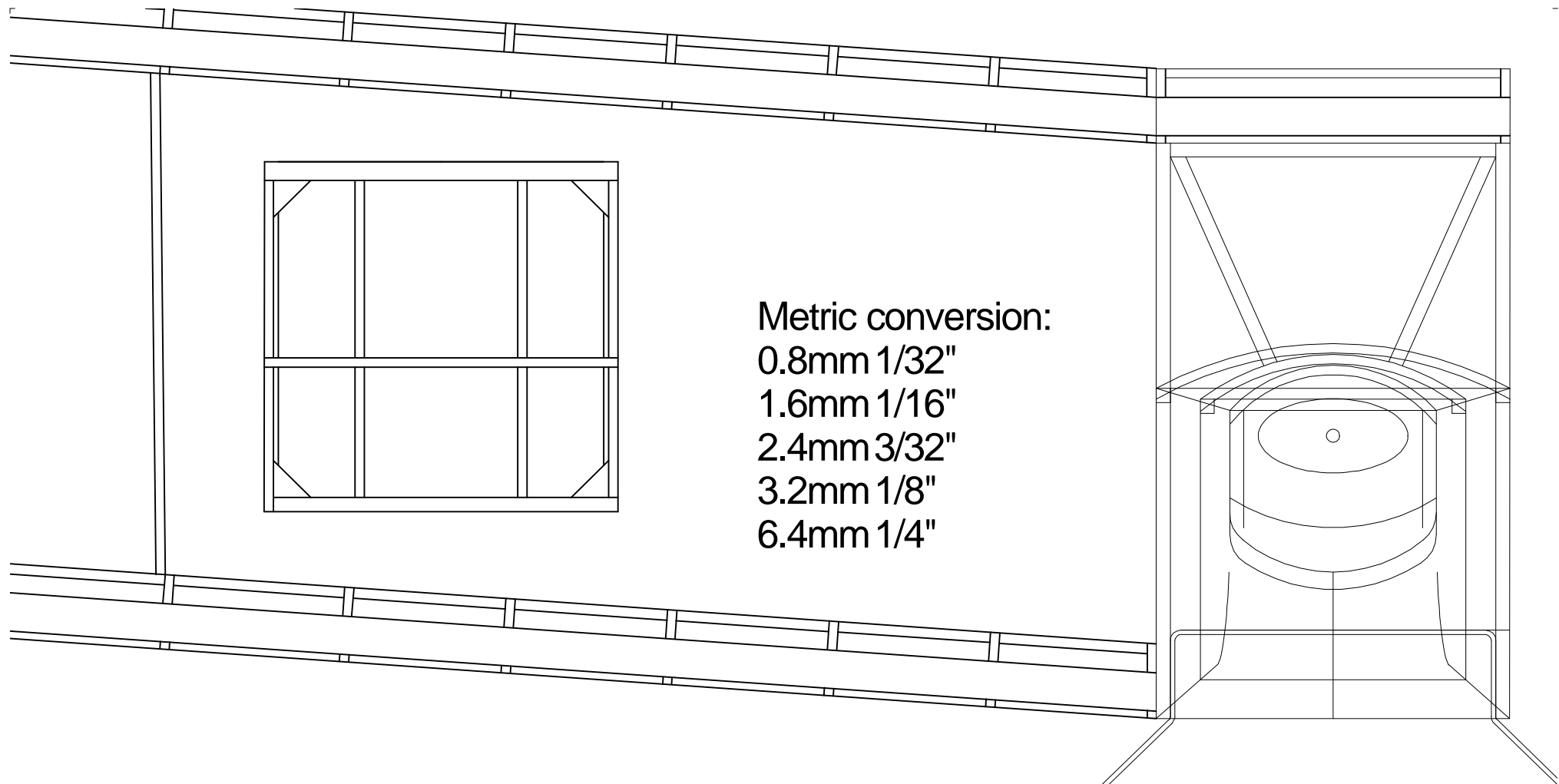


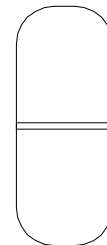
Tail fin:
Outlines from 2.4mm (3/32") square
Ribs from 2.4 x 1.6 (3/32 x 1/16)

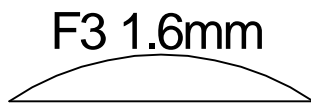
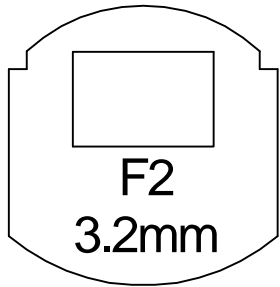
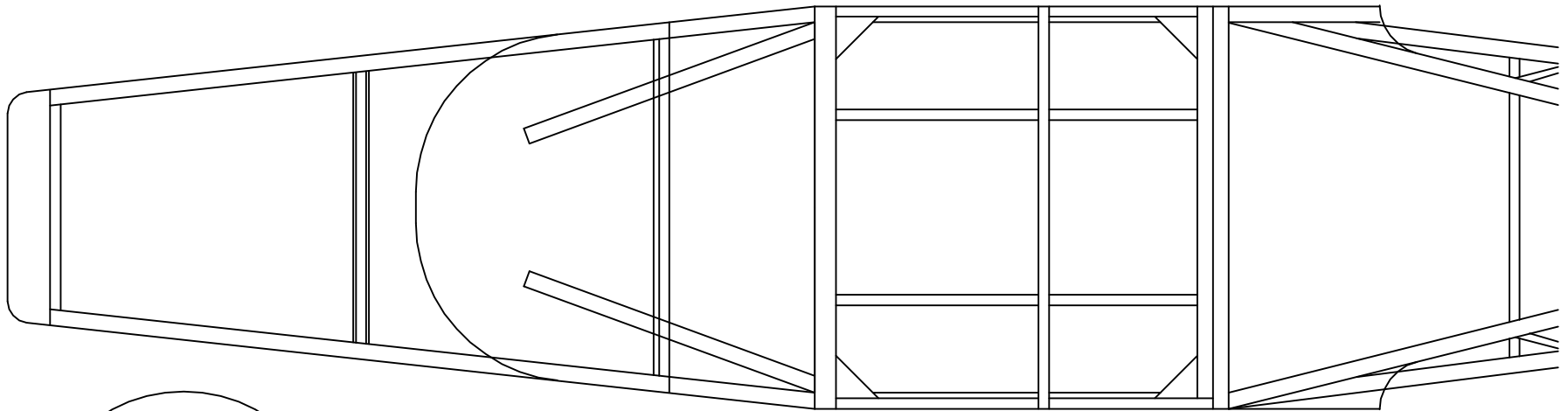
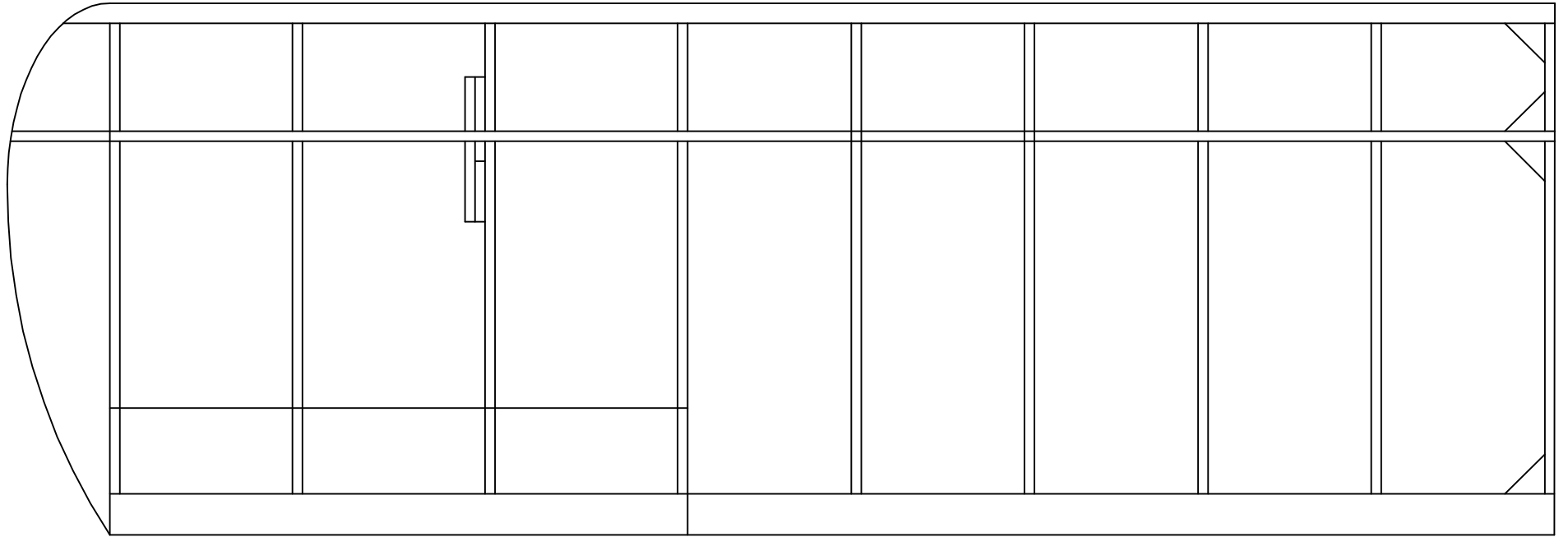




Metric conversion:
0.8mm 1/32"
1.6mm 1/16"
2.4mm 3/32"
3.2mm 1/8"
6.4mm 1/4"

F5





▲ Balance at this mark

