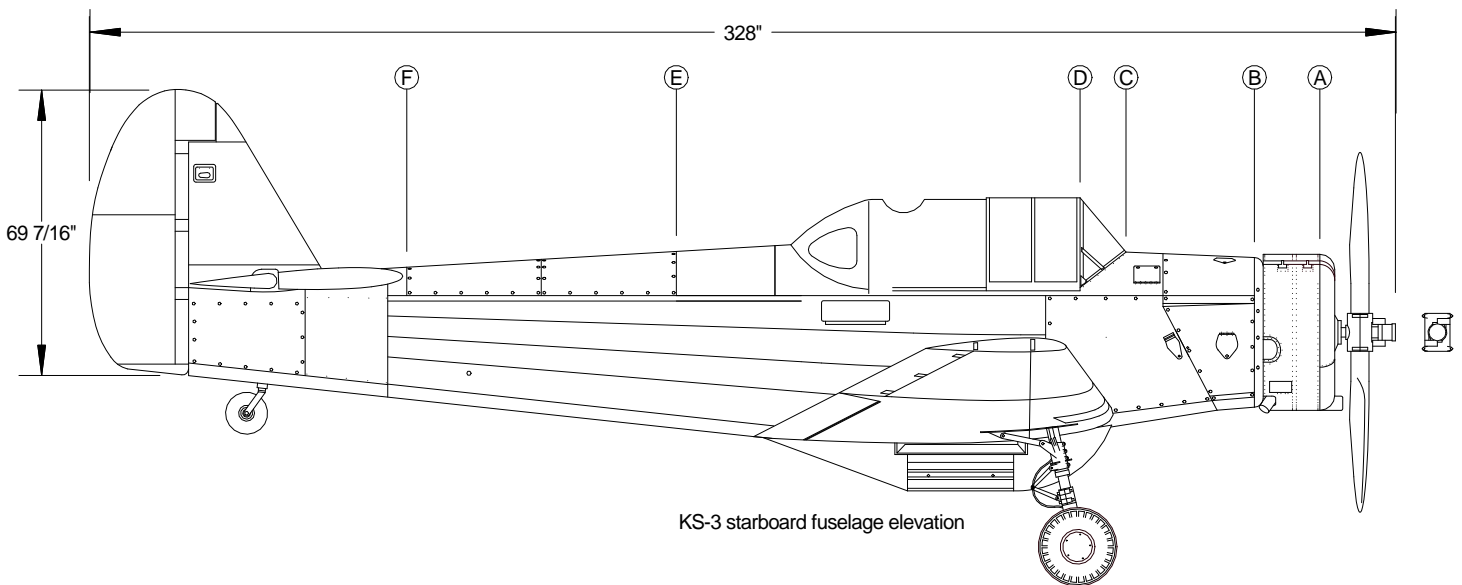
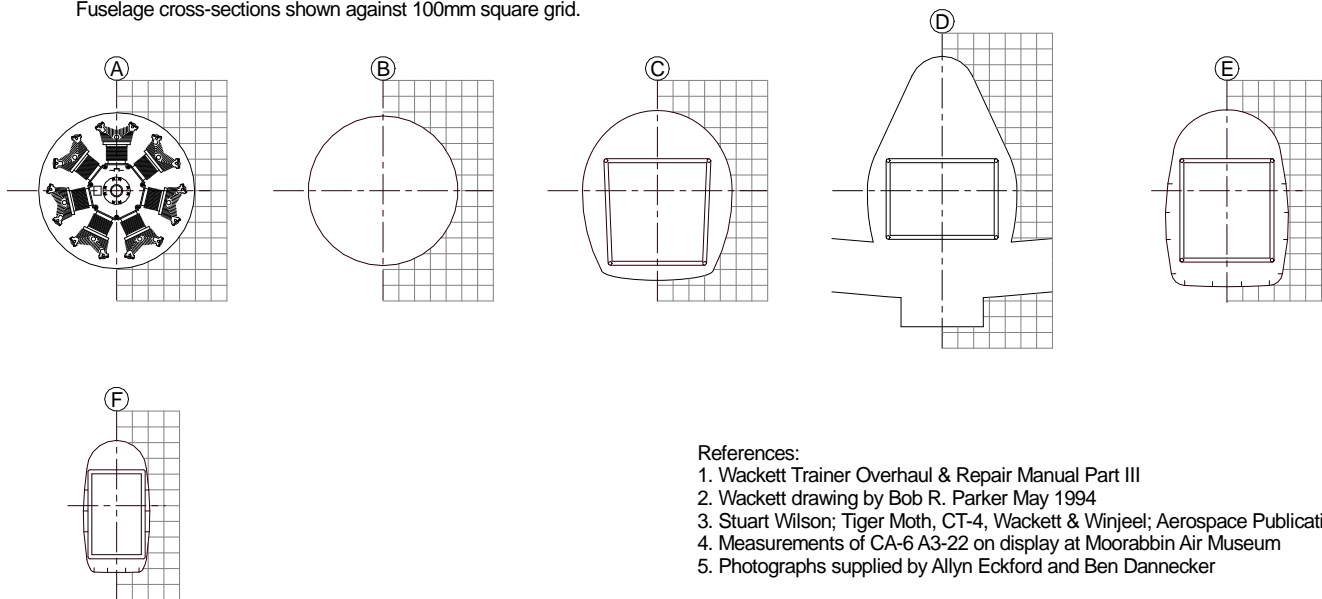


KS-3 in spreading configuration with gate on hopper outlet



KS-3 starboard fuselage elevation

Fuselage cross-sections shown against 100mm square grid.



References:

1. Wackett Trainer Overhaul & Repair Manual Part III
2. Wackett drawing by Bob R. Parker May 1994
3. Stuart Wilson; Tiger Moth, CT-4, Wackett & Winjeel; Aerospace Publications 1994
4. Measurements of CA-6 A3-22 on display at Moorabbin Air Museum
5. Photographs supplied by Allyn Eckford and Ben Dannecker

Acknowledgements:

This drawing could not have been prepared without the advice and support of Allyn Eckford. Thanks also to Ben Dannecker and Michael Ellis (Curator, Australian National Aviation Museum, Moorabbin).

Kingsford Smith Aviation Services KS-3 Cropmaster
1957-59



Drawn by Derek Buckmaster © 2003
for the DB Design Bureau website

Plate 1 of 3

