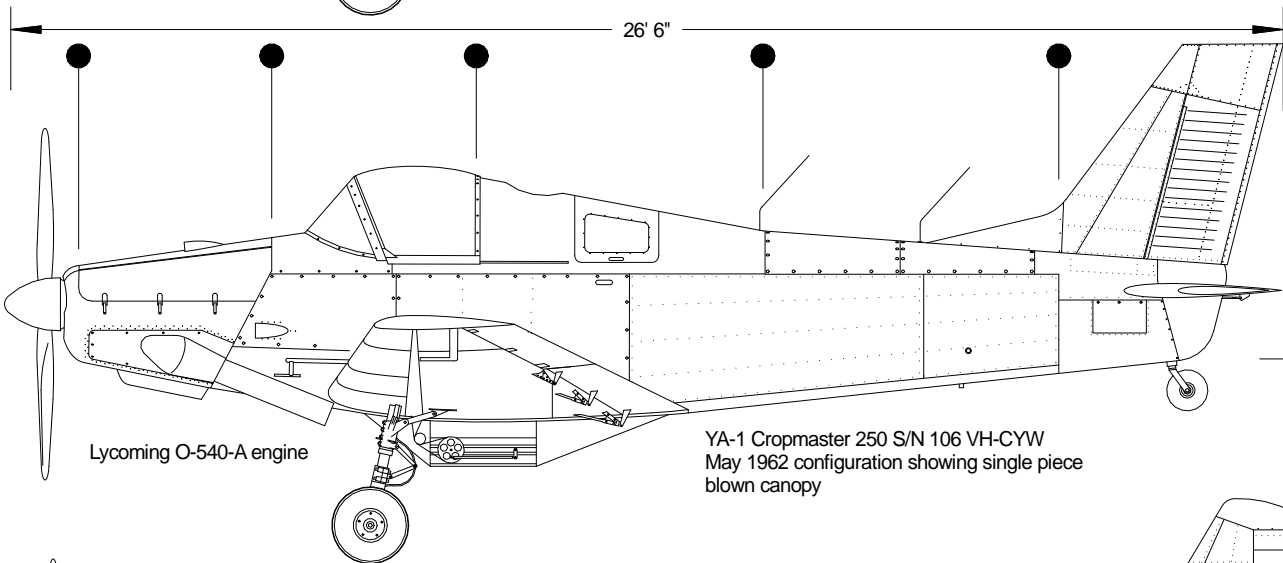


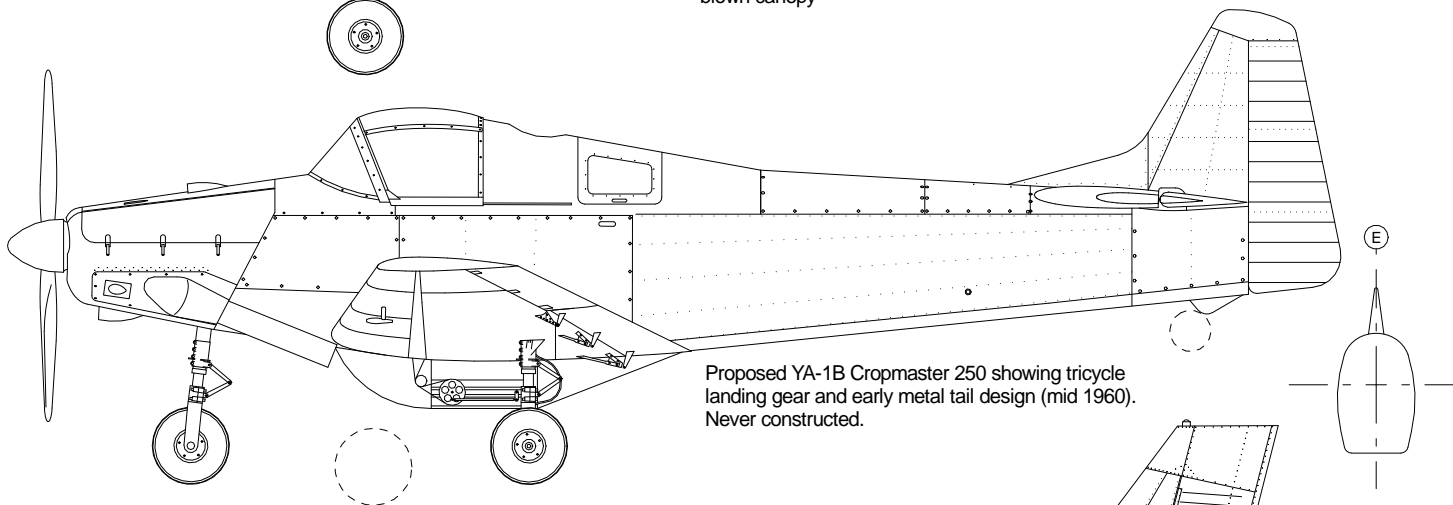
Lycoming O-540-A engine
Hartzell HC92ZK-1 propeller

YA-1 Cropmaster 250 S/N 101 VH-BJF
(shown in mid-1960 configuration)

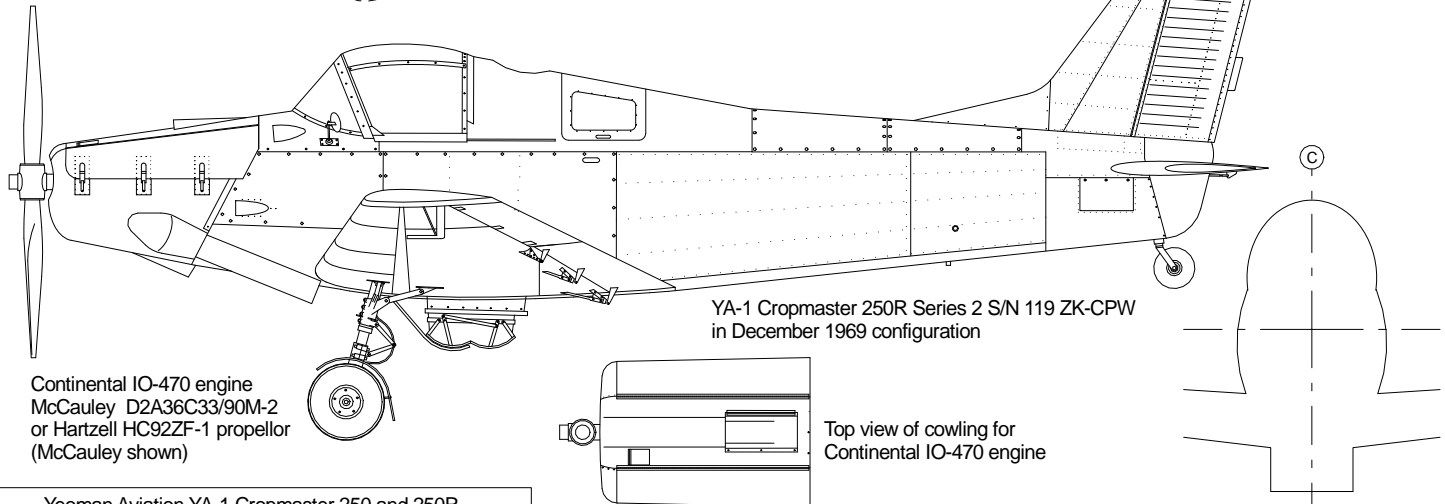


Lycoming O-540-A engine

YA-1 Cropmaster 250 S/N 106 VH-CYW
May 1962 configuration showing single piece
blown canopy



Proposed YA-1B Cropmaster 250 showing tricycle
landing gear and early metal tail design (mid 1960).
Never constructed.



Continental IO-470 engine
McCauley D2A36C33/90M-2
or Hartzell HC92ZF-1 propeller
(McCauley shown)

YA-1 Cropmaster 250R Series 2 S/N 119 ZK-CPW
in December 1969 configuration

Top view of cowling for
Continental IO-470 engine

Yeoman Aviation YA-1 Cropmaster 250 and 250R
1959-69



Drawn by Derek Buckmaster 2003
for the DB Design Bureau website
Plate 1 of 4

